



# ReDrive

## BATTERY POWERED ROLL PUSHER



- ✓ Thrust force up to 20 tons
- ✓ Lift force up to 5 tons
- ✓ Speed max 14 m/min
- ✓ Compact dimensions
- ✓ Easy handling and maneuverability
- ✓ Stand-by function for energy saving

ReDrive is the eco-friendly battery powered roll pusher which makes moving heavy rolls easy.

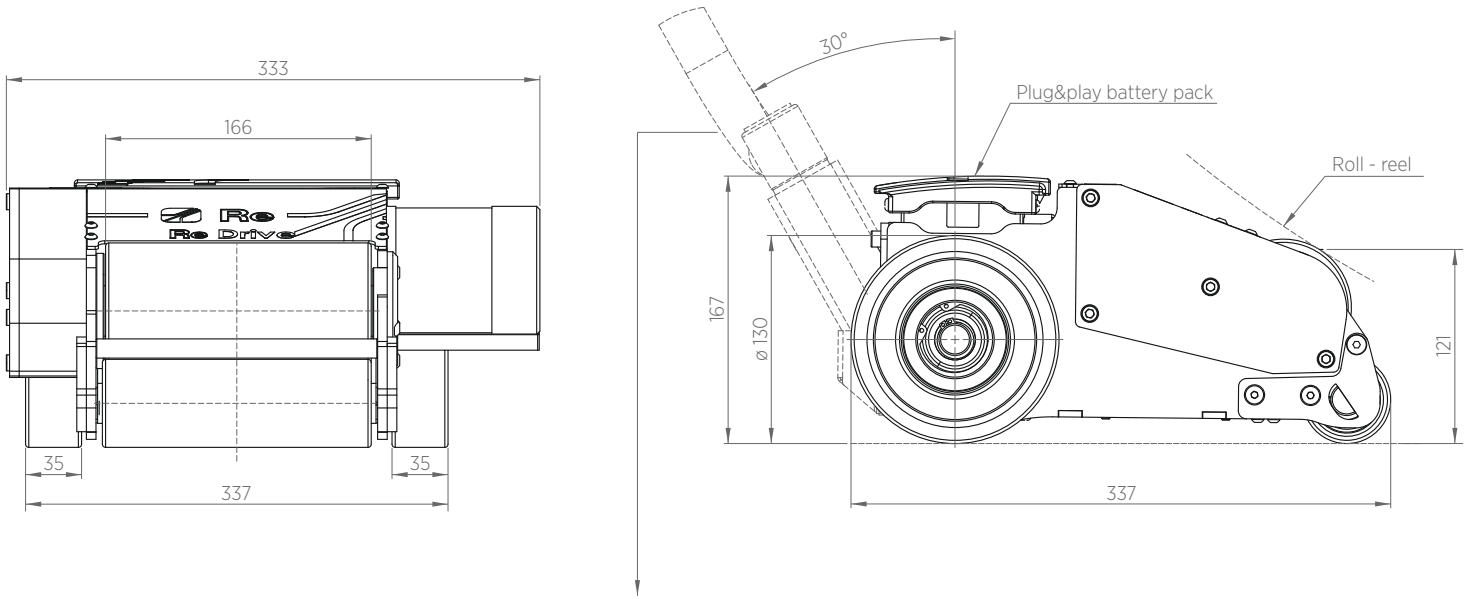
It is equipped with a high performance plug & play 48V lithium battery which ensures long-lasting use between charges, thanks also to the stand-by function for battery saving.

Two XL rear wheels improve maneuverability and fluidity of movement. Dimensions and weight of ReDrive are optimized for ergonomic usability and exceptional performance.

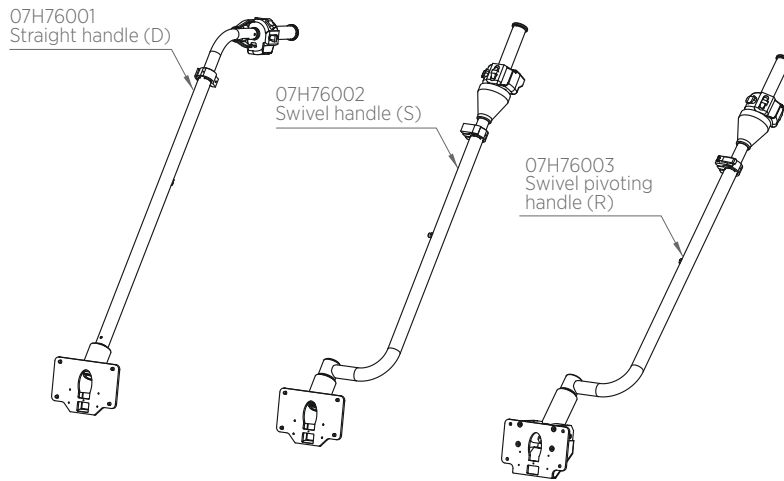
Several models are available depending on the required thrust force and handle configuration.

ReDrive is also supplied with a durable battery charging station.

# TECHNICAL DRAWING



## HANDLE TYPES



## TECHNICAL DATA

Battery	lithium 48 V
ReDrive charger supply	110V - 220V
Weight	32 kg - 71 lb
∅ roll max	2300 mm - 90 in
Handle types	straight - rotating or "S" - swivel pivoting

Thrust force	<b>RDV.80</b> 20 tons
Lift force	5 tons
Speed max	11 m/min - 36 ft/min

